

GTR058 Movement Issue

The gate(s) will open but not close, or close but not open
 The gate arm does not open/close fully
 One gate will open and close but the other will not

Possible Causes

- | | |
|---|-------------------|
| 1. Incorrect bracket mounting positions | (Refer fig 1 & 2) |
| 2. Incorrect mounting procedure | (Refer fig 3) |
| 3. Incorrect limit switch positioning | (Refer fig 4) |
| 4. Damaged Limit switches | (Refer fig 5) |
| 5. Loose wiring connections | (Refer fig 6) |
| 6. Incorrect programming settings | (Refer fig 7) |

Step-by-Step Troubleshooting

***If you are uncomfortable or unsure about performing any of these tests please contact Richmond Wheel & Castor for further support.**

1. Check your post bracket mounting positions and critical distances in the chart below
 - These measurements are critical for correct movement and is a common cause of movement issues
 - Remove the arm from the gate and operate to see if the arm extends and retracts correctly

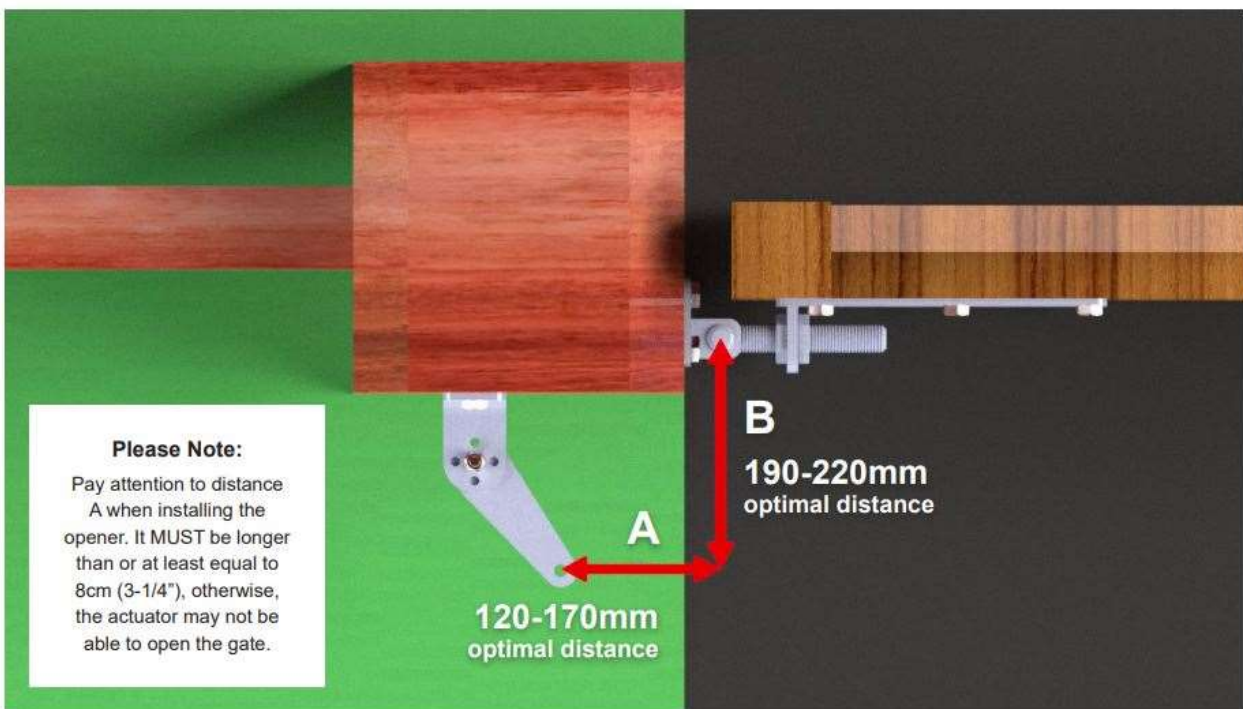


Fig 1

To find the maximum opening range of motion based on the set distances of **A** and **B**, refer to the table below:

	A=8cm	A=9cm	A=10cm	A=11cm	A=12cm	A=13cm	A=14cm	A=15cm	A=16cm	A=17cm	A=18cm	A=19cm	A=20cm
B=19cm	90°	93°	96°	98°	101°	104°	106°	108°	110°	105°	102°	98°	95°
B=20cm	91°	93°	95°	98°	100°	103°	107°	110°	104°	99°	96°	94°	92°
B=21cm	91°	93°	95°	97°	100°	103°	106°	103°	99°	96°	93°	91°	
B=22cm	91°	94°	95°	97°	99°	101°	103°	98°	95°	92°	90°		
B=23cm	92°	94°	96°	98°	100°	103°	98°	94°	92°	90°			
B=24cm	90°	92°	95°	97°	99°	97°	93°	91°					
B=25cm	90°	92°	94°	97°	96°	92°	90°						
B=26cm	90°	92°	94°	95°	91°								
B=27cm	90°	92°	95°	90°									

Fig 2

2. Check that the correct mounting process was followed (example below is for a pull to open gate)
 - Open the gate to your preferred open position
 - Make sure the arm is full retracted and bracket mountings are correct (see step 1)
 - Attach the gate bracket where the arm meets the gate

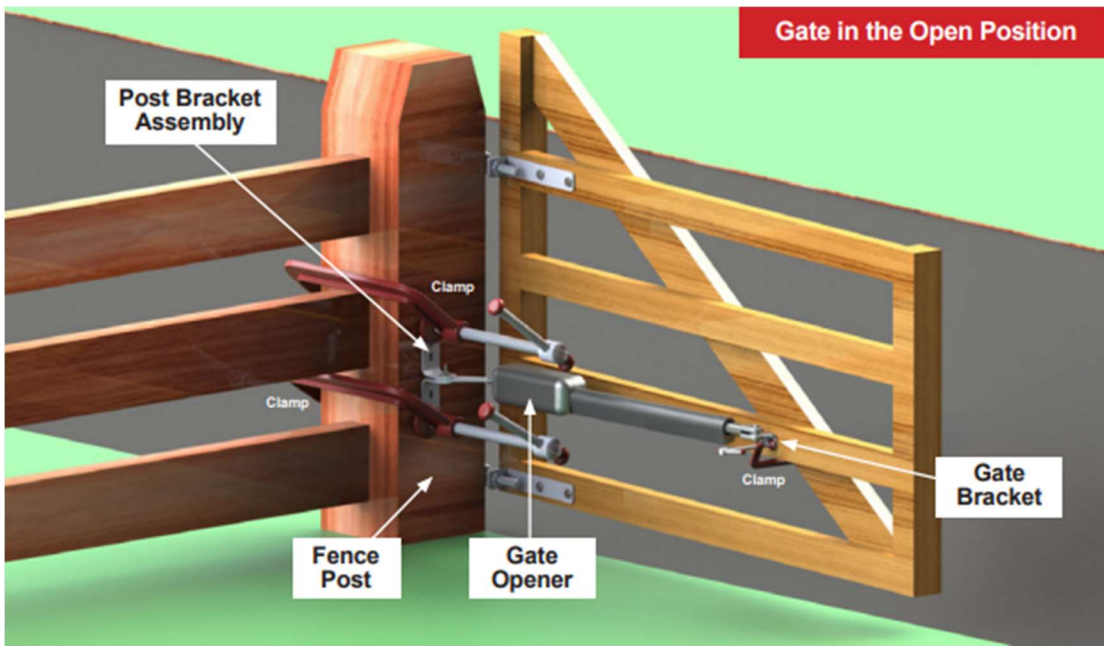


Fig 3

3. Check the limit switches underneath the arm for the correct position
 - Adjust if necessary. Screw only needs to be lightly tightened after adjustment

Pull to Open Limit Switch Adjustment:

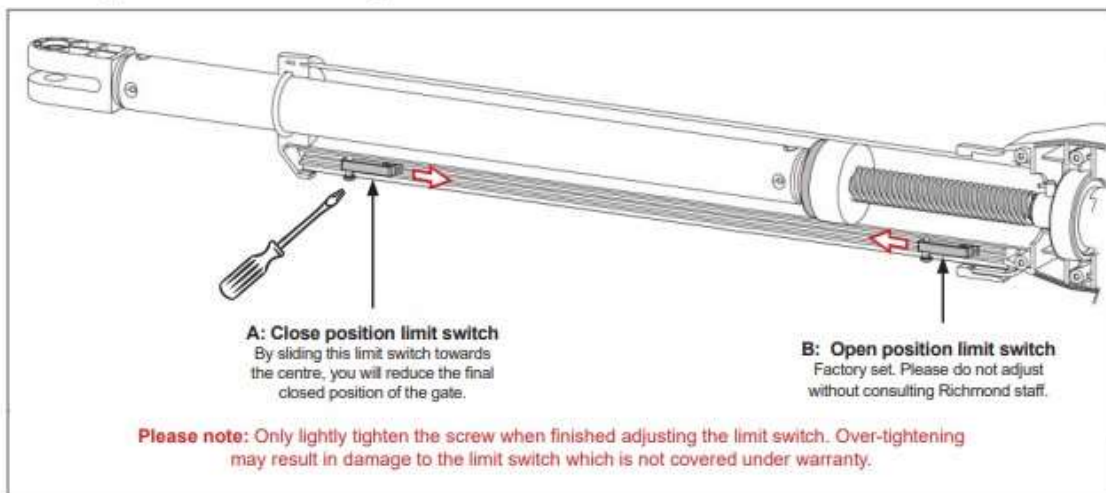


Fig 4

4. Check the limit switch for damage. A damaged limit switch will generally result in no arm movement
 - Remove the screw if necessary, as there may be cracks or splits underneath



Fig 5

5. Check the control board for any loose wiring connections or visible damage

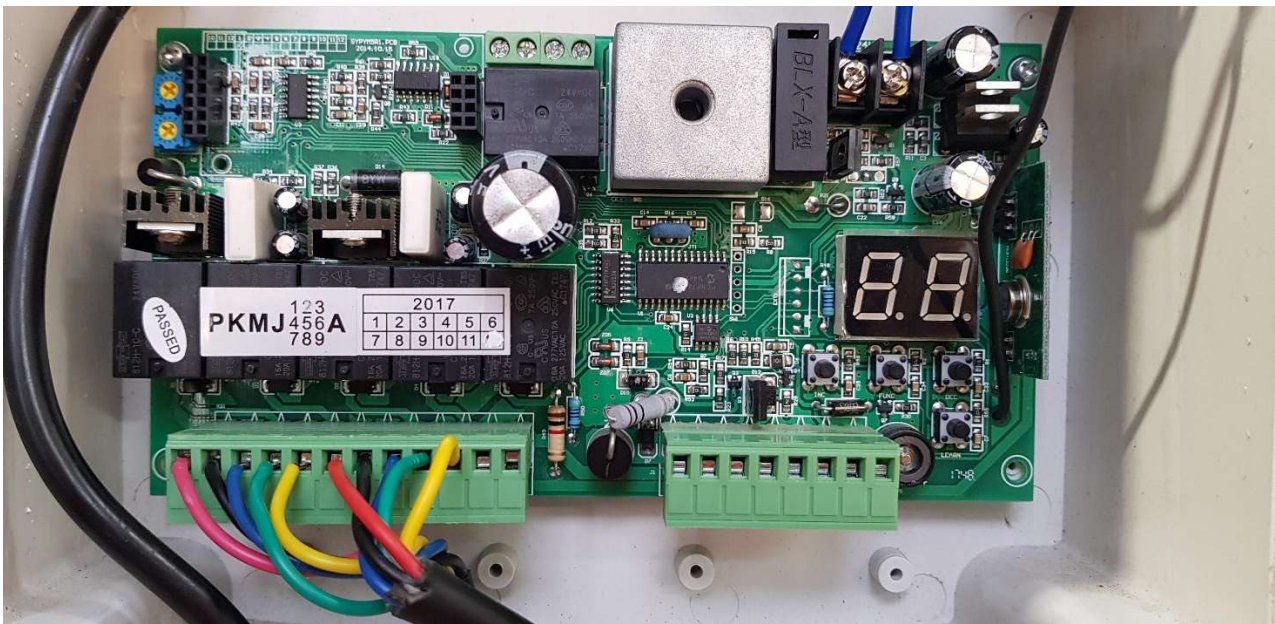
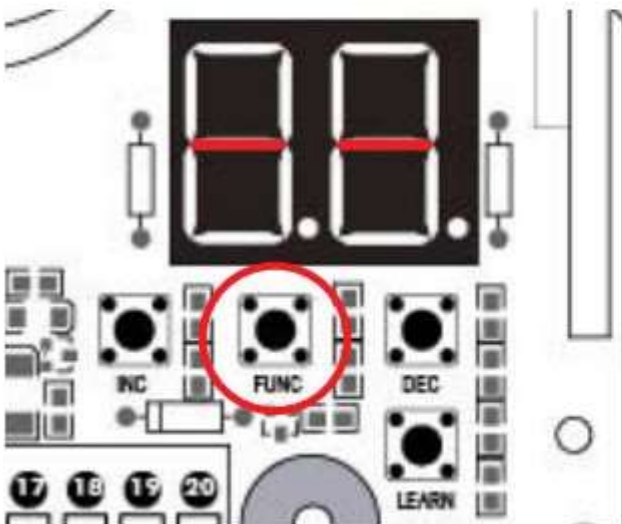


Fig 6

6. Check the settings of your control board (full settings in the [GTR058 manual](#))
 - Reset to factory default settings if necessary

Programming the Gate Opener:

The following steps detail how to adjust the operation of your swing gate motor, to accommodate individual operational requirements. While the control box power is turned on, the digital display on the circuit board will flash "-- --". This means the unit is in operation mode (ready to open and close your gate).



To enter programming mode and change any program settings press and hold the **FUNC** (function button for 4 seconds. The digital display will flash P1 (Program 1) Meaning you can adjust Program 1 settings.

- To change settings to any of the programs press the **INC** (Increase) or **DEC** (Decrease) buttons, to change the setting option. Pressing the **FUNC** button will save the new setting highlighted and cycle to the next program option.
- To exit programming mode and return to operating mode press the **FUNC** button repeatedly until the "-- --" symbol s displayed.

Fig 7

If your issue remains, please contact Richmond Wheel & Castor for further technical support