

Programming and Wiring: Control board wiring diagram 01

Ensure power is off before any modifications are made.

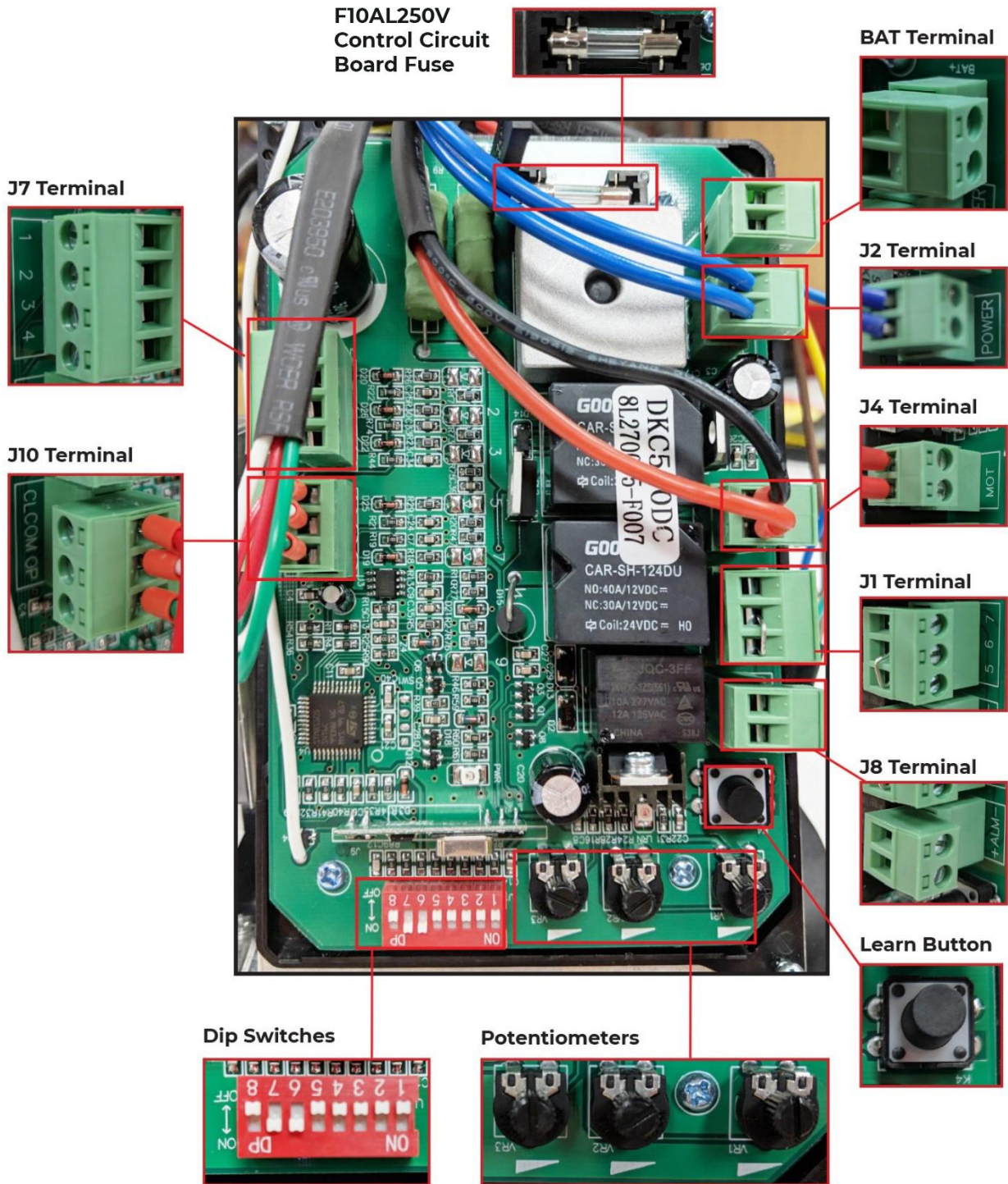
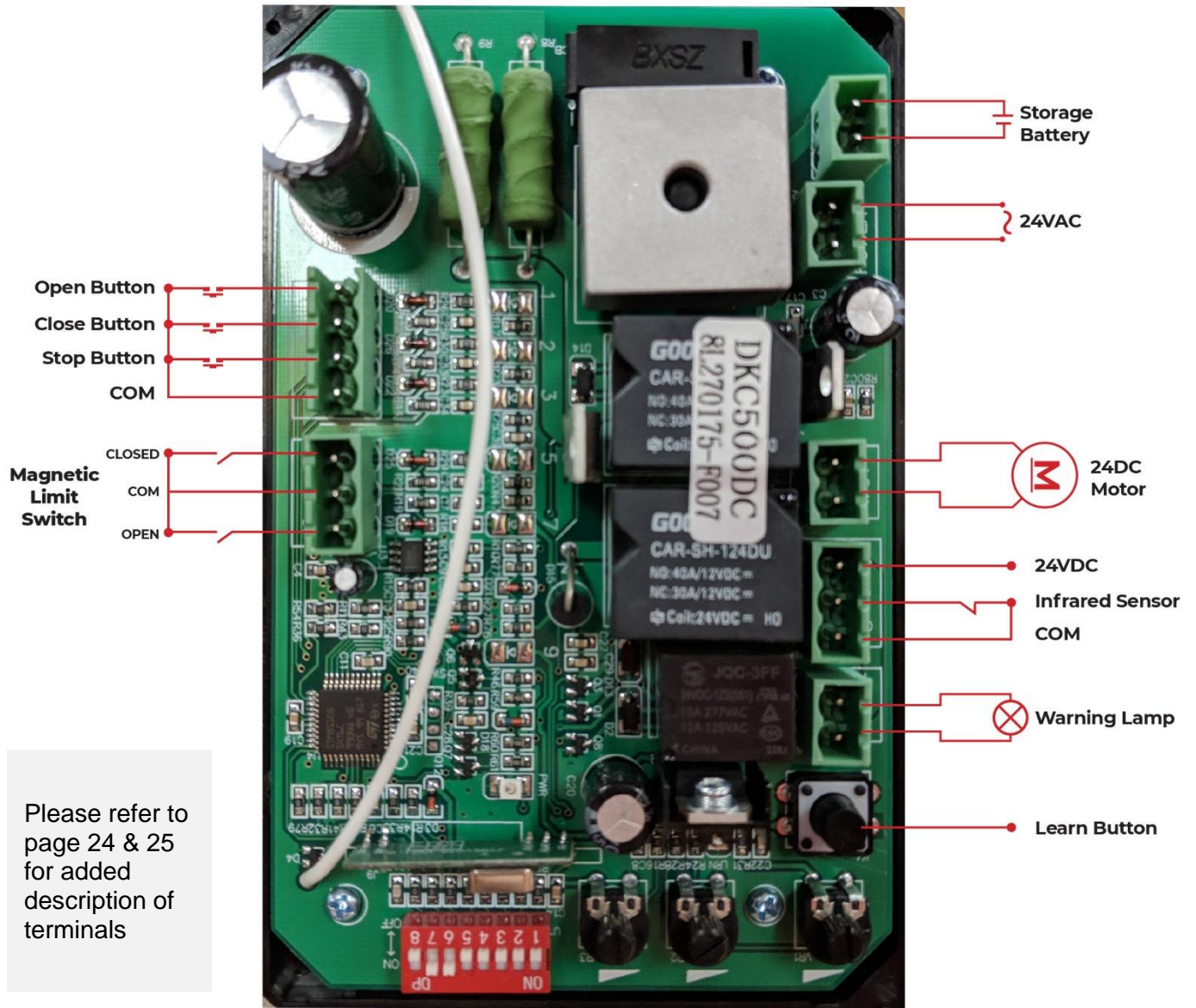


Fig 29

Programming and Wiring: Control board wiring diagram 02



Please refer to page 24 & 25 for added description of terminals

Fig 30