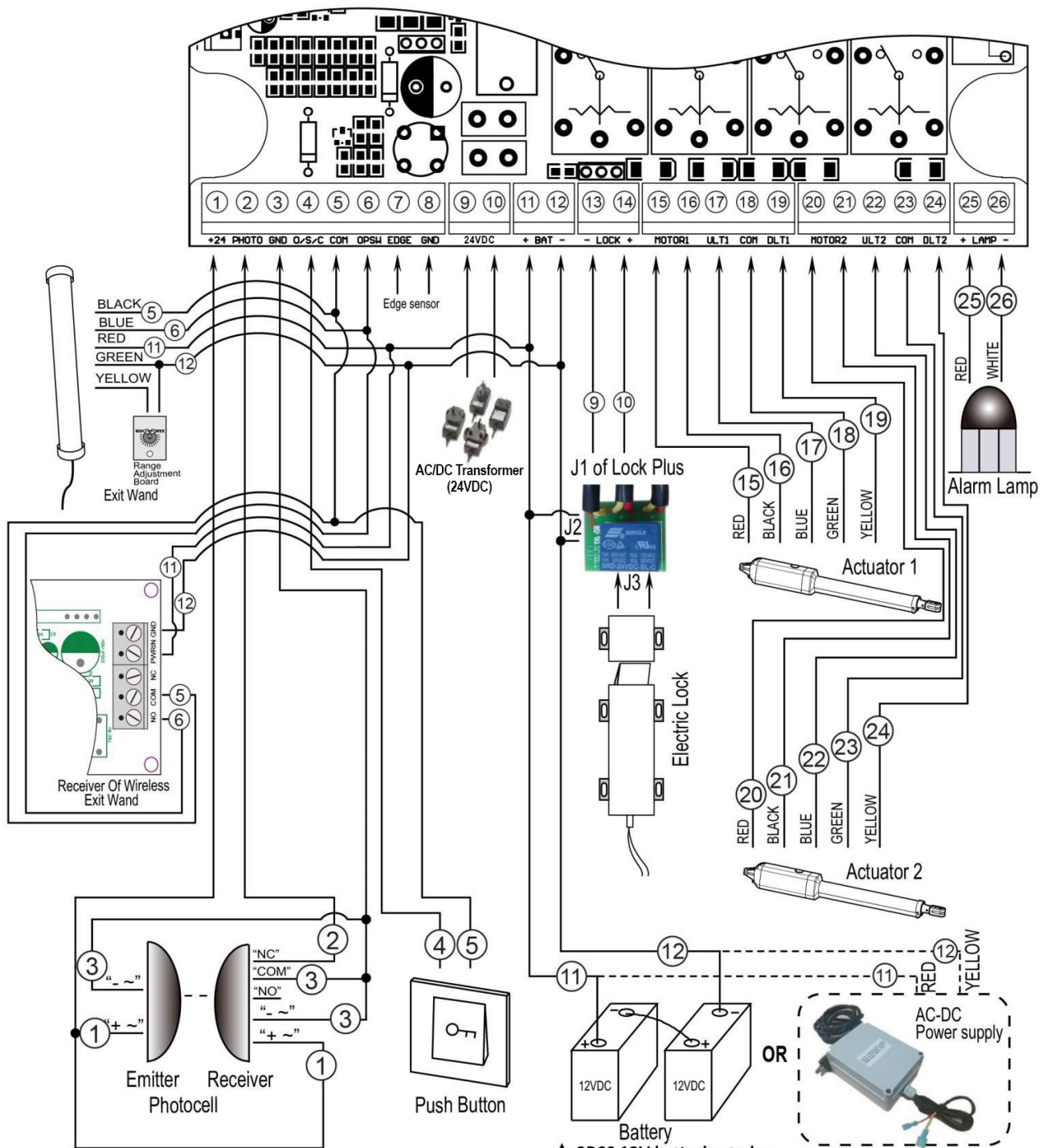


Connection of the control board



⚠ Important Note:

2 PCS 12V batteries (NOT INCLUDED, at least 12AH) or an AC-DC 24VDC power supply (NOT INCLUDED, Min. output power: 150W) is required to power up the gate opener. You can choose the AC-DC power supply to save the cost if the AC electricity is stable. Please note that the AC/DC transformer in the package is only used to charge the batteries. If you use the AC-DC power supply as the power source, there's no need to use the 24VDC transformer in the package.