

Technical Specifications:

Model	GTR058
Input	240V/50Hz
Motor Voltage	24VDC
Power	80W each Gate Opener
Current	3A
Actuator Speed	16mm/s
Max. Actuator Travel	385mm
Max. Weight of Gate	400kgs per gate* (refer to table 1 below)
Max. Width of Gate	5mtrs per gate For dual gates longer than 4mtrs an extension cable is required. 3m (GTR158) and 6m (GTR159) extension cables to suit available.
Ambient Temperature	-20°C~ +50°C (-4°F to 122°F)
Noise	≤60dB
IP Protection Class	IP44
Remote Control Frequency	433.92MHz
Package Weight	18kg

* Refer to table 1

Single Arm - 1 gate opener used per gate

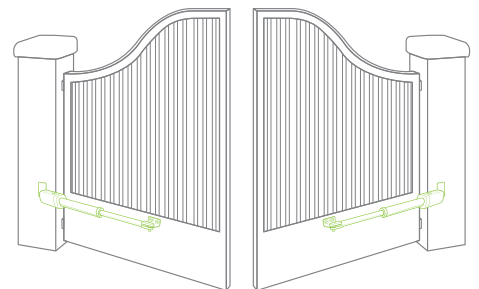
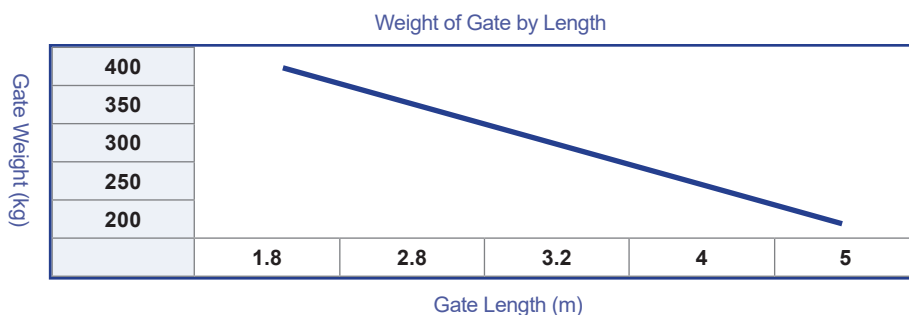


Table 1

Dual Arm - 2 gate openers used on a heavier single gate

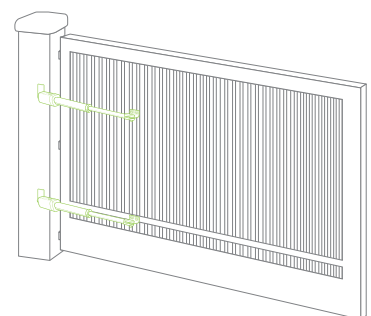
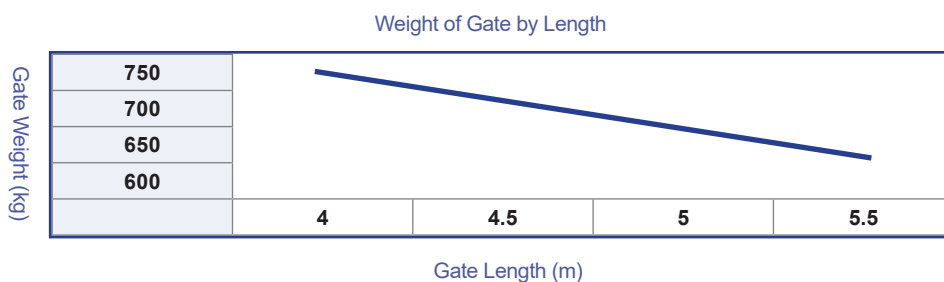


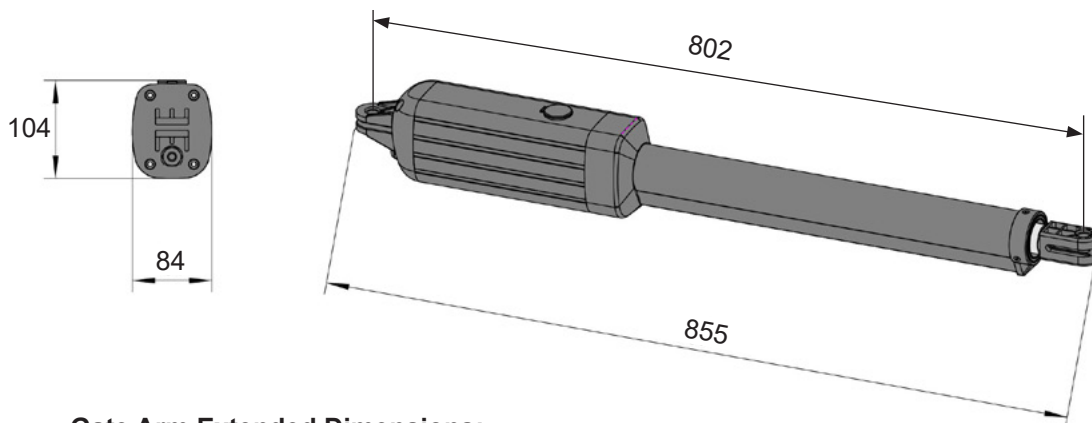
Table 2

Features:

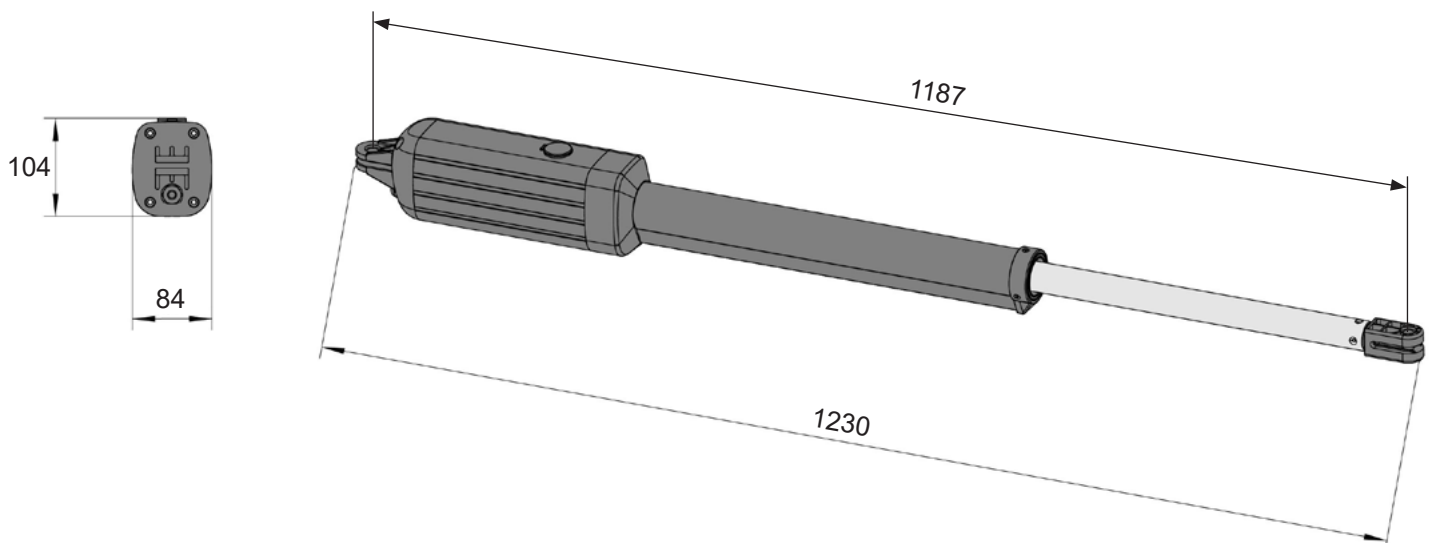
- Soft start and soft stop
- Emergency release key in case of power failure
- Dual/Single gate running mode
- Adjustable opening/closing interval between the Primary and Secondary gate.
- Stop/Reverse in case of obstruction during gate opening/closing.
- Built in adjustable auto-close (0-99 seconds)
- Built in max. Motor running time (MRT) adjustable for multiple safety protection (1-50 seconds)
- Digital display indicates the running situation and setting menu
- Reliable electromagnetism limit for easy adjustment
- Comes with 2x remotes. Additional remotes can be purchased separately.
- Can be equipped with a wide range of accessories, visit our website to see the full range of accessories available: richmondau.com/automatic-gate-openers-hardware/

Dimensions:

Gate Arm Retracted Dimensions:

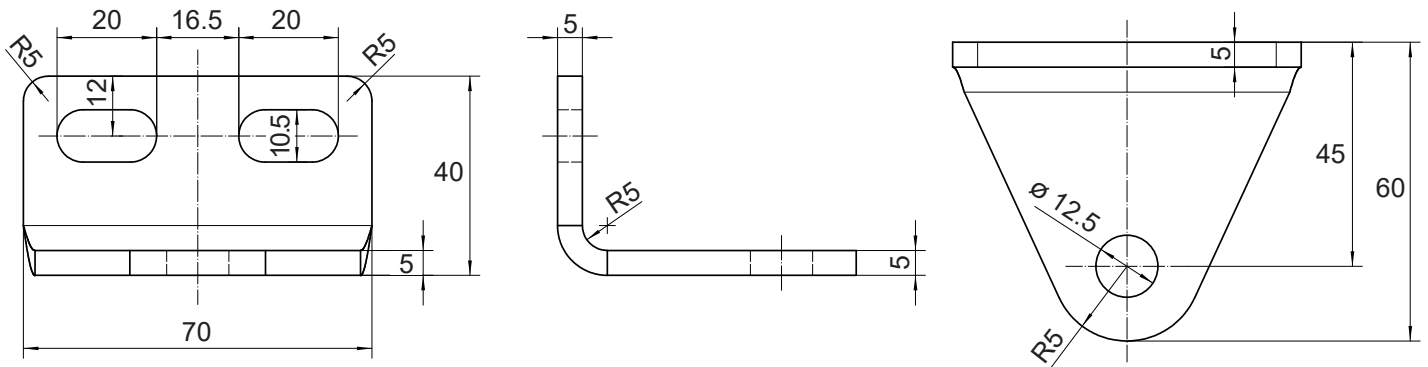


Gate Arm Extended Dimensions:

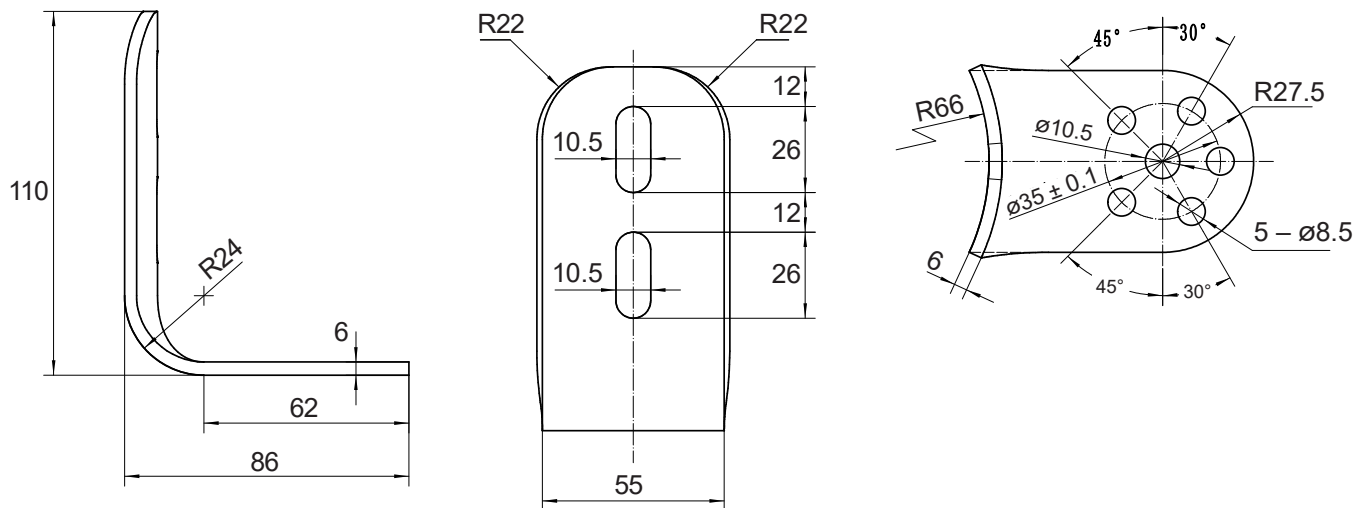


Dimensions:

Gate Bracket Dimensions:



Post Bracket Dimensions:



Post Pivot Bracket Dimensions:

